

HSF

NOTES:

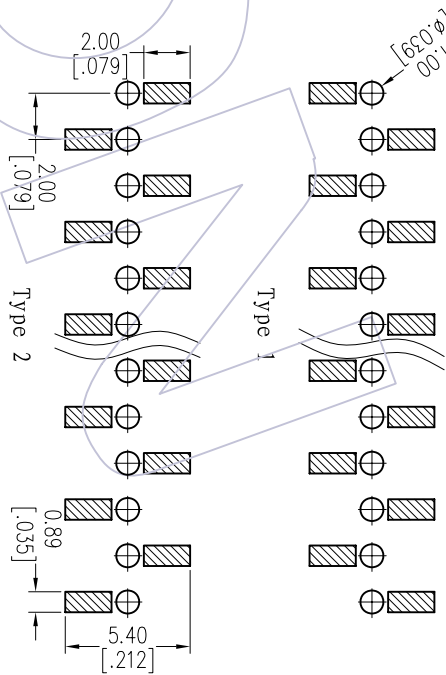
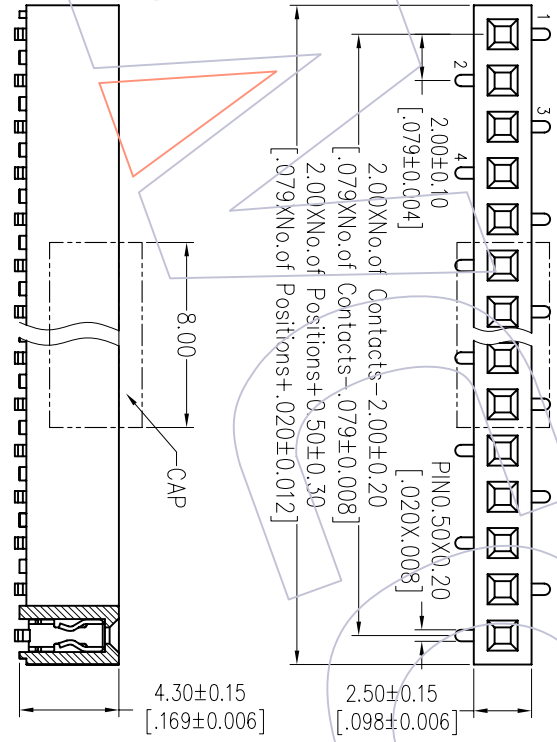
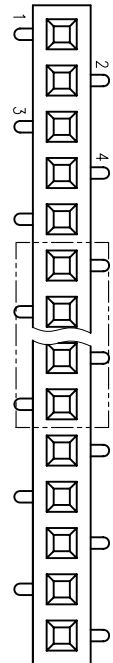
Current Rating: 2.0AMP
 Contact Resistance: 20mΩ Max
 Withstand Voltage: 500V AC/DC
 Insulation Resistance: 1000MΩ Min
 Operation Temperature: -40°C to +105°C

Contact Material: Phosphor Bronze
 Contact plating: Au Or Sn over Ni
 Insulator Material: PA9T+30%G.F. UL94V-0

Ordering Information

2243-1 XX M XX CUN T X

No. of Pins per Row: 02-40Pin
 Contact Plating: G0=Gold Flash, G3=10μ"Gold, G4=15μ"Gold, G5=30μ"Gold
 S0=Gold Flash/Tin, S3=10μ"Gold/Tin, S4=15μ"Gold/Tin, S5=30μ"Gold/Tin, SN=Tin, SM=Matte Tin
 Packing: T=Tube, P=Tube+CAP, R=TapeReel+CAP
 Series No.: 1=Type 1, 2=Type 2



Recommended P.C.B Layout (Top Side)
 (PCB BOARD TOLERANCE±0.05)

Item	Pitch	Mating
Standard	2.00	1215/1220
Alternate		

TITLE	PART NO.
TYPE 1	2243-1XXMXXCUNT1
TYPE 2	2243-1XXMXXCUNT2

REV	DATE	MODIFICATION DESCRIPTION
A0	2012/07/13	NEW

OPERATION	DRAW	DATE	SCALE	FIT
XX	JYHuog	2012/07/13	UNIT	mm
XX	CHECK	DATE	SIZE	A4
X.XXX	±0.25		SHEET	1/1
Angle	±0.15		PROJ.	
APPROVE	APPROVE	DATE		

PART NO.	SBE TABLE
TITLE:	
FH2. 00 SINGLE ROW 180° SMT H=4.3	
Customer NO.	

WCON

Http: www.wcon.com

WCON-Dongguan Tel: +86 769 85358920 Fax: +86 769 85358915 E-mail: sales@wcon.com	WCON-Kunshan Tel: +86 512 57468408 Fax: +86 512 57468468 E-mail: sales@wcon.com
---	--